

PLEASE CHECK WWW.MOLEX.COM FOR LATEST PART INFORMATION

Part Number: [0556593839](#)
Status: **Active**
Overview: [mini_mi_ii](#)
Description: 1.25mm (.049") Pitch Mini Mi II™ Wire-to-Wire Adapter, Dual Row, without Panel Mount Clip, 38 Circuits, Lead-free

Documents:

[3D Model](#) [Product Specification PS-55659-005 \(PDF\)](#)
[Drawing \(PDF\)](#) [RoHS Certificate of Compliance \(PDF\)](#)

General

| | |
|----------------|----------------------------|
| Product Family | Accessories |
| Series | 55659 |
| Component Type | Adapter |
| Overview | mini_mi_ii |
| Product Name | Mini Mi II™ |

Physical

| | |
|--------------------------------|----------------|
| Circuits (Loaded) | 38 |
| Color - Resin | Natural |
| Gender | Male |
| Material - Metal | Brass |
| Material - Plating Mating | Tin |
| Material - Plating Termination | Tin |
| Material - Resin | Nylon |
| Number of Rows | 2 |
| Packaging Type | Bag |
| Plating min: Mating (µin) | 40 |
| Plating min: Mating (µm) | 1.00 |
| Plating min: Termination (µin) | 40 |
| Plating min: Termination (µm) | 1.00 |
| Temperature Range - Operating | -20°C to +80°C |

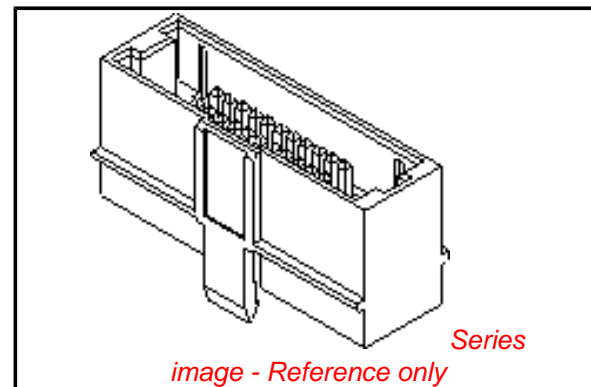
Electrical

| | |
|-------------------------------|------|
| Current - Maximum per Contact | 1.5A |
|-------------------------------|------|

Material Info

Reference - Drawing Numbers

| | |
|-----------------------|--------------|
| Product Specification | PS-55659-005 |
| Sales Drawing | SD-55659-005 |



EU RoHS

**ELV and RoHS
Compliant**
**REACH SVHC
Not Reviewed**
**Halogen-Free
Status**

China RoHS



**Need more information on product
environmental compliance?**

Email productcompliance@molex.com
 For a multiple part number RoHS Certificate of Compliance, [click here](#)

Please visit the [Contact Us](#) section for any non-product compliance questions.

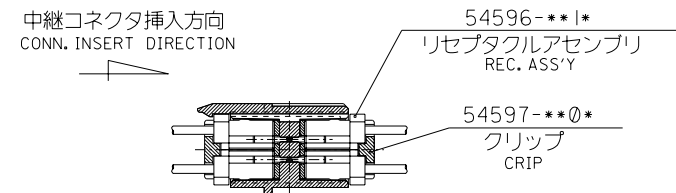
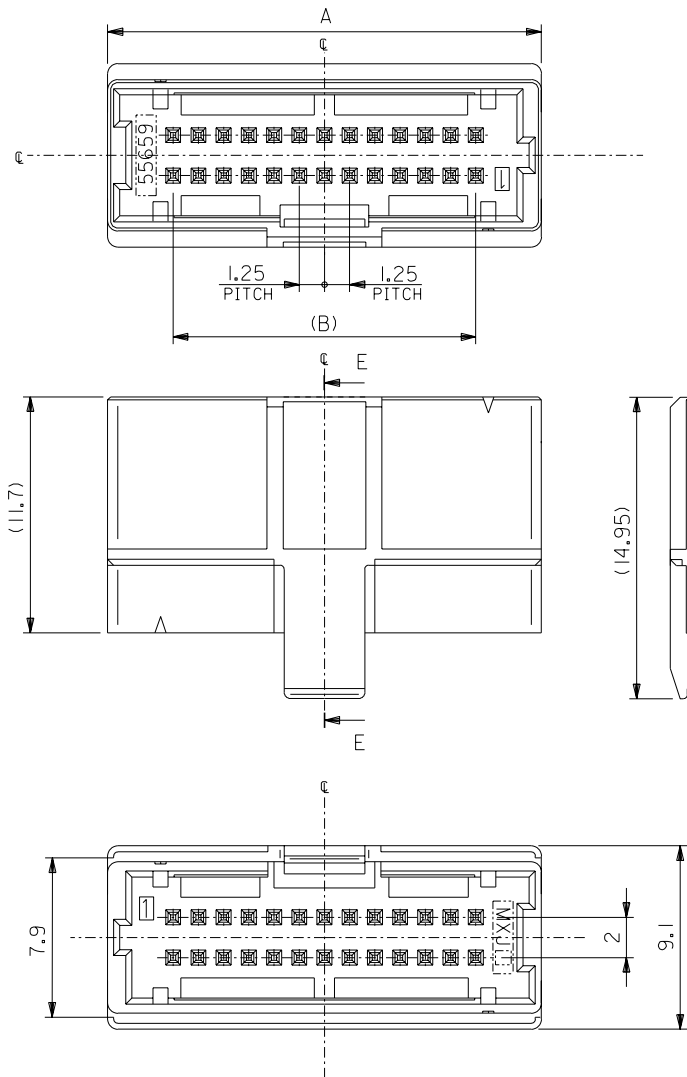
Search Parts in this Series

[55659Series](#)

Use With

[54596 IDT Housing](#)

DWG. NO. SD-55659-005



嵌合状態図
MATED & MOUNTED CONNECTOR

| | | | | |
|-------|-------|-----|--------------|-------------|
| 23.75 | 30.25 | 40 | 55659-4039 | 55659-***39 |
| 22.5 | 29 | 38 | 55659-3839 | |
| 21.25 | 27.75 | 36 | 55659-3639 | |
| 20 | 26.5 | 34 | 55659-3439 | |
| 18.75 | 25.25 | 32 | 55659-3239 | |
| 17.5 | 24 | 30 | 55659-3039 | |
| 16.25 | 22.75 | 28 | 55659-2839 | |
| 15 | 21.5 | 26 | 55659-2639 | |
| 13.75 | 20.25 | 24 | 55659-2439 | |
| 12.5 | 19 | 22 | 55659-2239 | |
| 11.25 | 17.75 | 20 | 55659-2039 | |
| 10 | 16.5 | 18 | 55659-1839 | |
| 8.75 | 15.25 | 16 | 55659-1639 | |
| 7.5 | 14 | 14 | 55659-1439 | |
| 6.25 | 12.75 | 12 | 55659-1239 | |
| 5 | 11.5 | 10 | 55659-1039 | |
| B | A | CKT | MATERIAL NO. | MODEL NO. |

注記
NOTES

1. 材質
MATERIAL
ウエハー: ナイロン、UL-94V0
WAFER: NYLON, UL94-V0
ピン: 黄銅、スズメッキ
PIN: BRASS, PRE-TINNED

2. 嵌合相手
MATES WITH
リセブタクルアセンブリ: 54596-***1*
REC. ASS'Y: 54596-***1*
クリップ: 54597-***0*
CRIP: 54597-***0*

3. 本製品は 55659-***30 の鉛フリー品である。
THIS PRODUCT IS LEAD FREE OF 55659-***30.

DO NOT SCALE DRAWING

| | | | | | | | | | | | | |
|----------------------------------|----------------------------------|----------------------------------|----------------------------------|----------------------------------|--|-----------------------------|---|--------------|--|---|--|-----------------------------|
| EC NO. DRWN: CHK: APPR: | EC NO. DRWN: CHK: APPR: | EC NO. DRWN: CHK: APPR: | EC NO. DRWN: CHK: APPR: | EC NO. DRWN: CHK: APPR: | 新規格作成 RELEASED EC NO. J2004-4572 DRWN: T.UENO CHK: M.SASAO APPR: M.SASAO | MATERIAL 材料 SEE CHART | GENERAL TOLERANCES: (UNLESS SPECIFIED) 一般公差 | SCALE 4-1 | DESIGN UNITS <input checked="" type="checkbox"/> mm <input type="checkbox"/> INCH | THIRD ANGLE PROJECTION | DIMENSIONS: <input type="checkbox"/> mm <input type="checkbox"/> INCH <input checked="" type="checkbox"/> mm ONLY | SHT REV |
| | | | | | 0 | FINISH 仕上げ — | 10 UNDER 未満 | ±0.2 | DRAWN BY & DATE T.UENO '04/06/03 | TITLE: Mini MiII 2-ROW RELAY WAFER ASS'Y -LEAD FREE- | | |
| | | | | | | WIRE RANGE 適用電線範囲 — | 10 OVER 30 UNDER 以上 未満 | ±0.25 | CHECKED BY & DATE M.SASAO '04/06/03 | MOLEX MOLEX INCORPORATED | | |
| | | | | | | INS. RANGE 被覆外径 — | 30 OVER 以上 | ±0.3 | APPROVED BY & DATE M.SASAO '04/06/03 | | MATERIAL NO. SEE CHART | DRAWING NO. SD-55659-005 |
| | | | | | | ANGLE 角度 | | ±3° | CAD FILENAME SD-55659-005.S01 | THIS DRAWING CONTAINS INFORMATION THAT IS PROPRIETARY TO MOLEX INCORPORATED AND SHOULD NOT BE USED WITHOUT WRITTEN PERMISSION. | | SIZE B |

SD-55659-005.S01